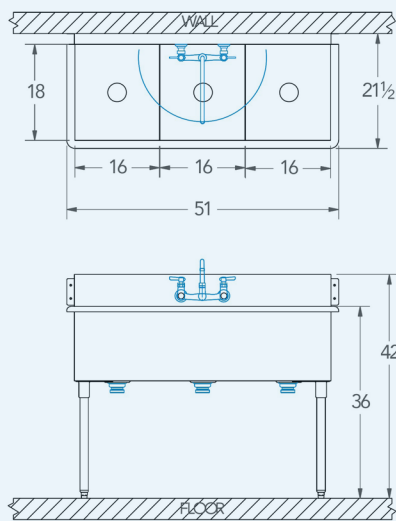


# Terrell

Model # TE.368.00

3-Compartment Food Service Sink



**Bowl (Lg x Wd x Dp)**  
16" x 18" x 14"

**Drainboard**  
Left: 0"  
Right: 0"

**Overall (Lg x Wd x Ht)**  
51" x 21 1/2" x 42"

**Material**  
16 gauge, stainless steel

**Faucet Holes**  
1-1/8" Dia 8" Centers

**Drain**  
3-1/2" Dia Opening

## Included:



Matched Faucet



Basket Drain(s)



Install Kit

## Additional Features

- 16 gauge stainless steel
- 14 gauge partition(s)
- 14" deep to sink rim
- Robust retro styling
- Stainless steel legs & feet
- 1-1/2" sanitary rolled-rim
- D 3-1/2" recessed drain opening
- Integrated security flange
- Specification grade hardware included
- 5-year warranty
- Made in Texas