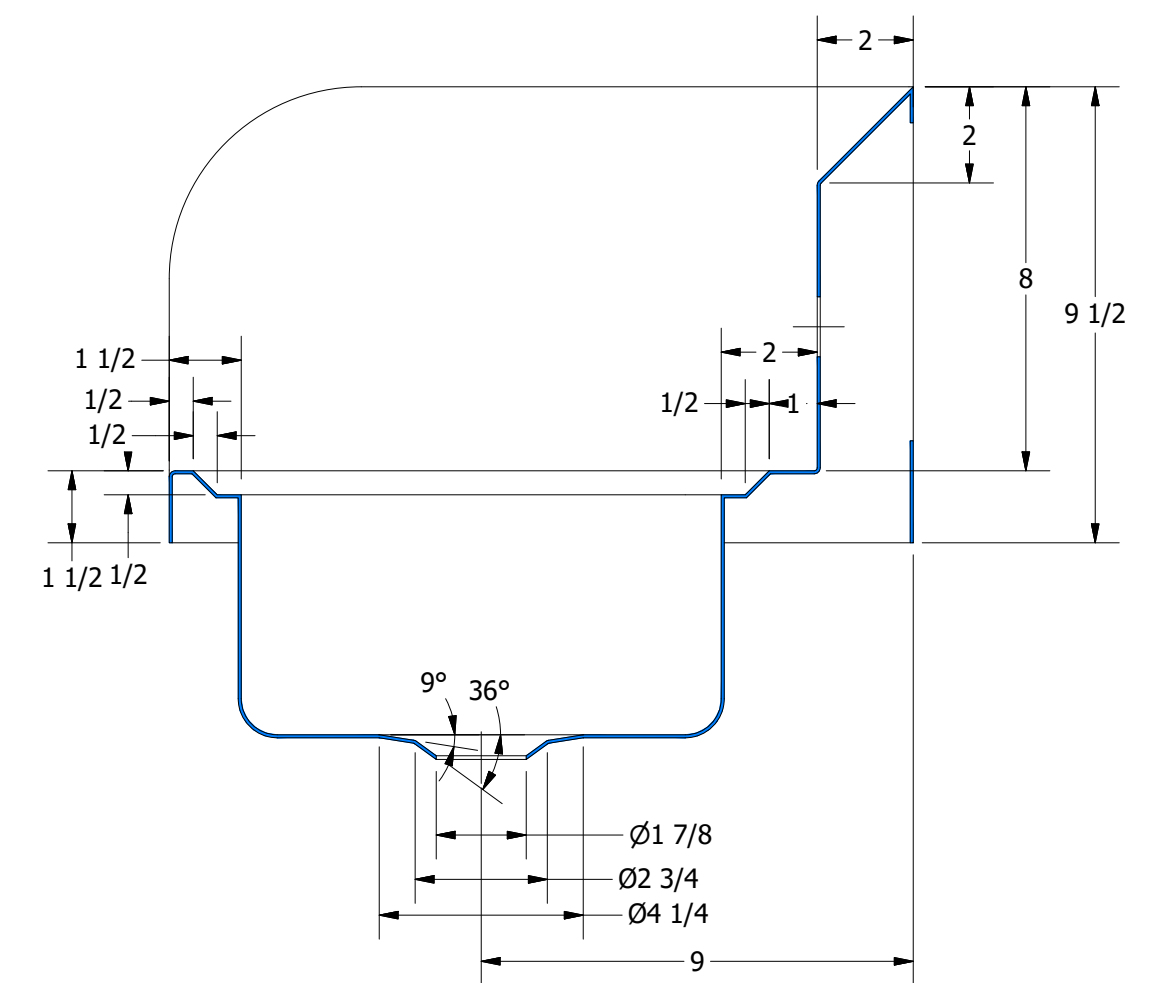
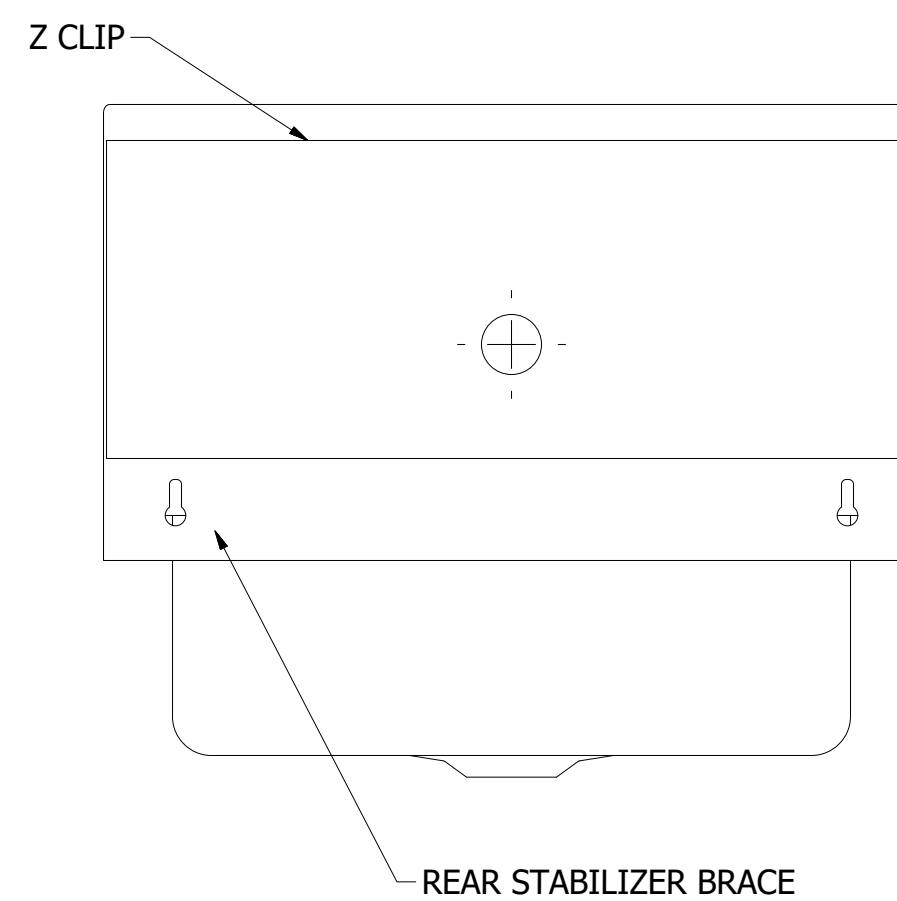


SECTION A-A  
SCALE 1 / 4



SECTION B-B  
SCALE 1 / 4

REV	DESCRIPTION	DATE	APPROVED
REVISION HISTORY			



PART NUMBER	<b>BR.60.110L</b>	TITLE	BRAZOS HANDSINK
PRODUCT CATEGORY	HANDWASH SINK	DESCRIPTION	16GA. SINK W. WALL MOUNTED SENSOR FAUCET, LEFT END SPLASH
THE INFORMATION CONTAINED IN THIS DRAWING IS THE SOLE PROPERTY OF GRIFFIN PRODUCTS, INC. ANY REPRODUCTION IN PART OR AS A WHOLE WITHOUT THE WRITTEN PERMISSION FROM GRIFFIN PRODUCTS, INC. IS PROHIBITED.		MATERIAL	ALL DIMENSIONS ARE IN X INCHES
DRW. BY / DATE	DNZ 01/24/18	APPROVED BY / DATE	REV. SCALE 1 / 4
			SIZE SHEET C 1 / 1