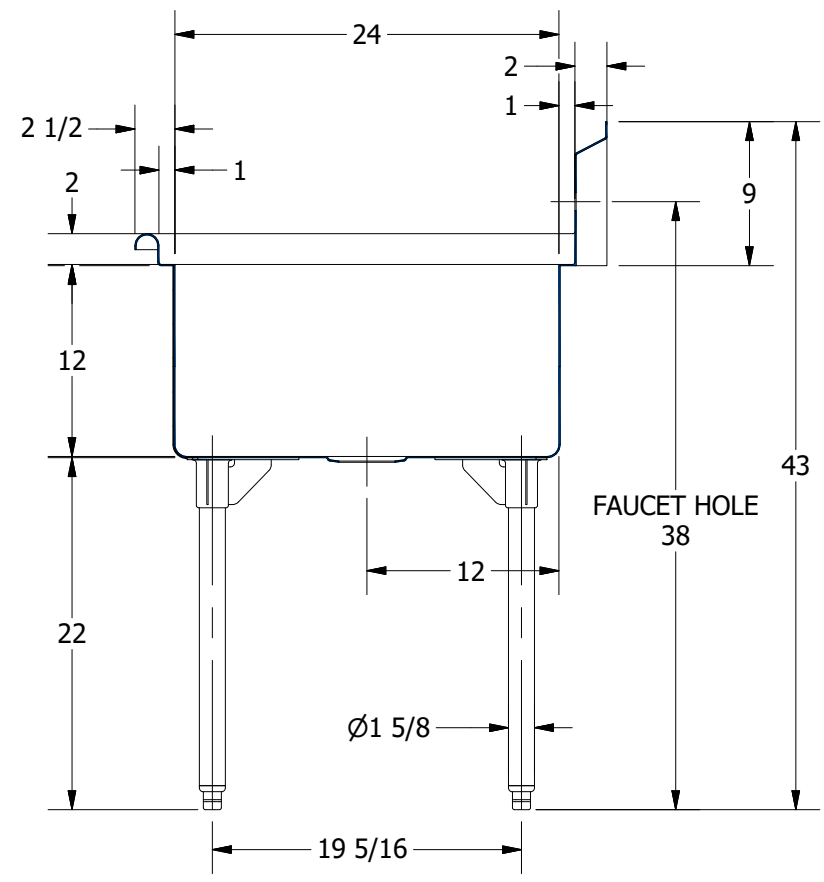


SECTION A-A  
SCALE 1:12



SECTION B-B  
SCALE 1:12

| REV              | DESCRIPTION | DATE | APPROVED |
|------------------|-------------|------|----------|
| REVISION HISTORY |             |      |          |



|   |               |                                |                                     |
|---|---------------|--------------------------------|-------------------------------------|
| PART NUMBER   | <b>254.00</b> | TITLE                          | TRINITY SERIES SCULLERY SINK        |
| PRODUCT CATEGORY  | SCULLERY SINK | DESCRIPTION                    | 14GA 2 COMPARTMENTS SINK            |
| THE INFORMATION CONTAINED IN THIS DRAWING IS THE SOLE PROPERTY OF GRIFFIN PRODUCTS, INC. ANY REPRODUCTION IN PART OR AS A WHOLE WITHOUT THE WRITTEN PERMISSION FROM GRIFFIN PRODUCTS, INC. IS PROHIBITED. |               | MATERIAL                       | 14GA (0.075 in) 304 STAINLESS STEEL |
| DRW. BY / DATE  | DNZ 01/24/18  | APPROVED BY / DATE             |                                     |
|   |               | ALL DIMENSIONS ARE IN X INCHES |                                     |
| REV.  | SCALE         | SIZE                           | SHEET                               |
|   | 1:12          | C                              | 1 / 1                               |