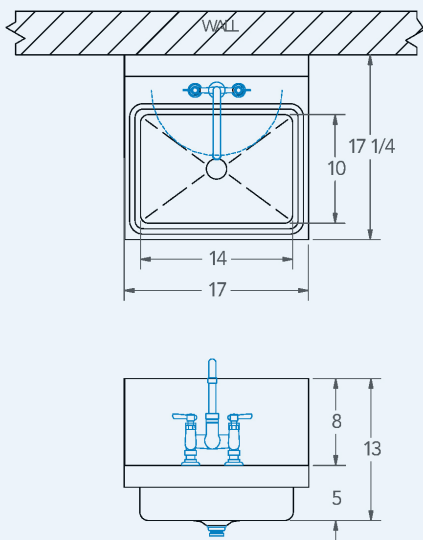


# Comal

Model # CM.30.224L

Handwash Sink



**Bowl (Lg x Wd x Dp)**

14" x 10" x 5"

**Overall (Lg x Wd)**

17" x 17 1/4"

**Faucet**

Deck mounted, single faucet

**End Splashes**

Left Side

**Material**

20 gauge, stainless steel

**Faucet Holes**

1" Dia 4" Centers

**Drain**

1-1/2" Dia Opening

**Included:**



**Matched Faucet**



**Basket Drain(s)**

**Additional Features**

- 20 gauge stainless steel
- Coved Corners
- NSF Approved
- Die-formed Rim
- O.A. 17" x 17 1/4"
- 14" x 10" x 5" deep sink bowl
- Includes faucet, drain and wall bracket
- 1 year warranty