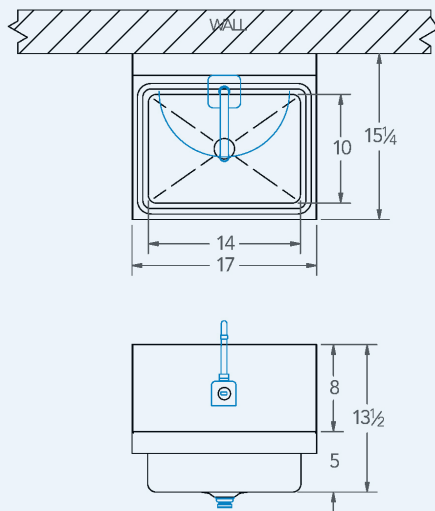


Comal

Model # CM.30.110L

Handwash Sink



Bowl (Lg x Wd x Dp)

14" x 10" x 5"

Overall (Lg x Wd)

17" x 15 1/4"

Faucet

Wall mounted, sensor faucet

End Splashes

Left Side

Material

20 gauge, stainless steel

Faucet Holes

1" Dia 4" Centers

Drain

1-1/2" Dia Opening

Included:



Matched Faucet



Basket Drain(s)

Additional Features

- 20 gauge stainless steel
- Coved Corners
- NSF Approved
- Die-formed Rim
- O.A. 17" x 15 1/4"
- 14" x 10" x 5" deep sink bowl
- Includes faucet, drain and wall bracket
- Thermostatic mixing valve w/ sensor models
- 1 year warranty