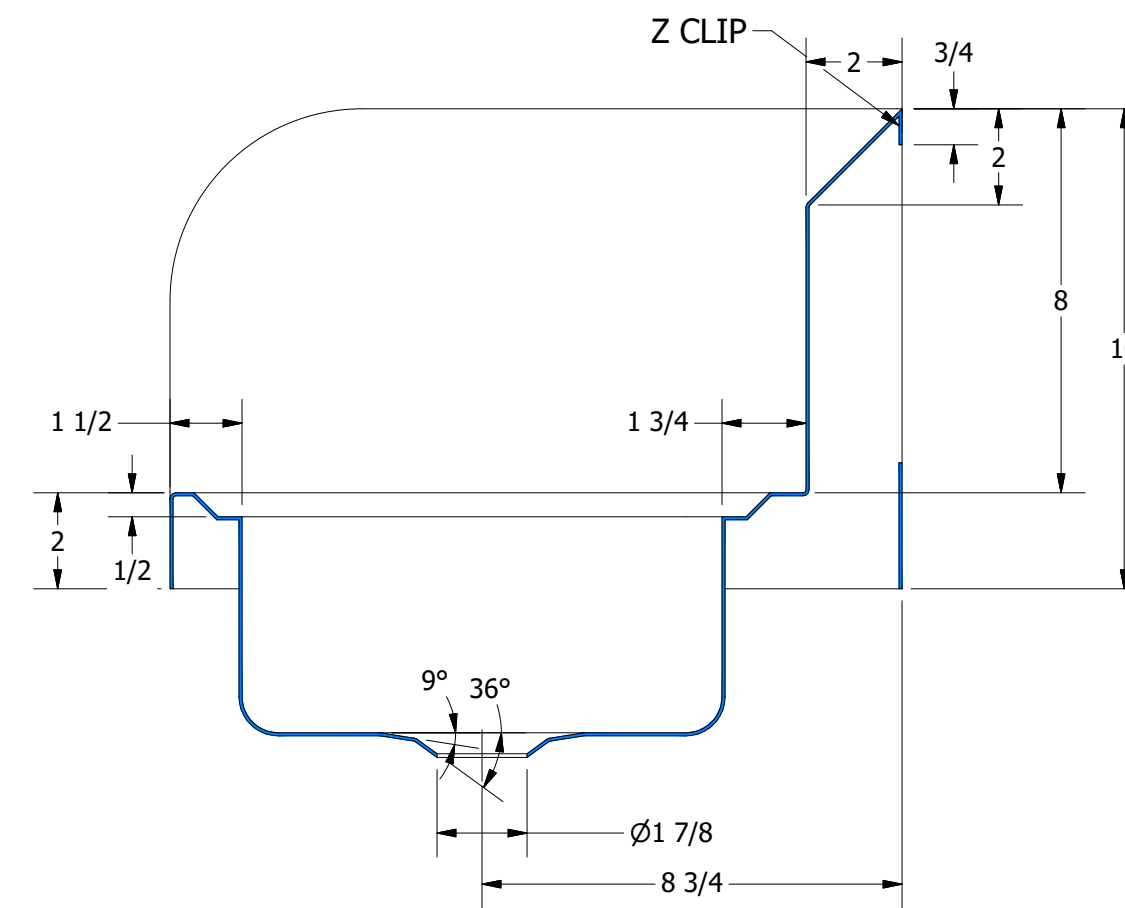


SECTION A-A
SCALE 1 / 4



SECTION B-B
SCALE 1 / 4

| REV | DESCRIPTION | DATE | APPROVED |
|------------------|-------------|------|----------|
| REVISION HISTORY | | | |



| | | | |
|---|-------------------|--------------------|--|
| PART NUMBER | CM.30.124L | TITLE | COMAL HANDSINK |
| PRODUCT CATEGORY | HANDWASH SINK | DESCRIPTION | 20GA. SINK W. WALL MOUNTED FAUCET, LEFT END SPLASH |
| THE INFORMATION CONTAINED IN THIS DRAWING IS THE SOLE PROPERTY OF GRIFFIN PRODUCTS, INC. ANY REPRODUCTION IN PART OR AS A WHOLE WITHOUT THE WRITTEN PERMISSION FROM GRIFFIN PRODUCTS, INC. IS PROHIBITED. | | MATERIAL | ALL DIMENSIONS ARE IN X INCHES |
| DRW. BY / DATE | DNZ 01/24/18 | APPROVED BY / DATE | REV. SCALE SIZE SHEET |
| | | | 1 / 4 C 1 / 1 |