

# PHOENIX

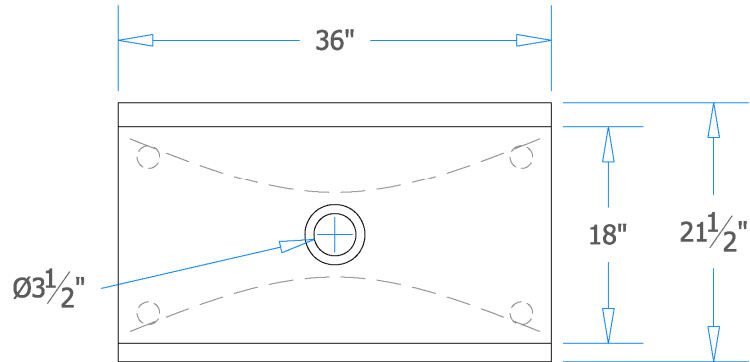


PH.198.

WORK SMART *Collection*

Project Name: \_\_\_\_\_

Specifier: \_\_\_\_\_ Contractor: \_\_\_\_\_



## Features

- Proudly made in USA
- Heavy 16 gauge stainless steel
- Retro style, unibody design
- Stainless leg sockets
- Galvanized tubular legs
- Adjustable bullet feet
- 3-1/2" drain opening

## Options / Accessories

- Perforated work surface
- Stainless steel legs
- Basket Drain
- Lever Drain
- Faucets



PH.PWS.36



PH.LEGS.SS

## Sink Dimensions

Model	Overall	Bowl	Depth	Faucet Holes
PH.198.148	36" x 21-1/2"	36" x 18"	10"	(4) 8" Centers
PH.198.128	36" x 21-1/2"	36" x 18"	10"	(2) 8" Centers
PH.198.120	36" x 21-1/2"	36" x 18"	10"	(2) Single

## Faucet Holes Layout

PH.198.148		o	o	o	o	
PH.198.128			o	o		
PH.198.120			o		o	

## Product Specifications

Sink to be one compartment, 36" x 18" x 10" deep and fabricated from heavy 16 gauge stainless steel with a #4 satin finish. Sink shall incorporate a 1-1/2" wide front rim and a backsplash 5" tall with a 2" return. All seams to be TIG welded and ground to a smooth finish. Faucet drillings to be 7/8" to accommodate 1/2" NPT through connection to the backsplash. Any exposed corners shall be rounded to eliminate sharp edges.

## Warranty

Griffin Products, Inc. offers a 1-year warranty against manufacturing defects for the Phoenix line of products. For more details, please refer to our product catalog or website.